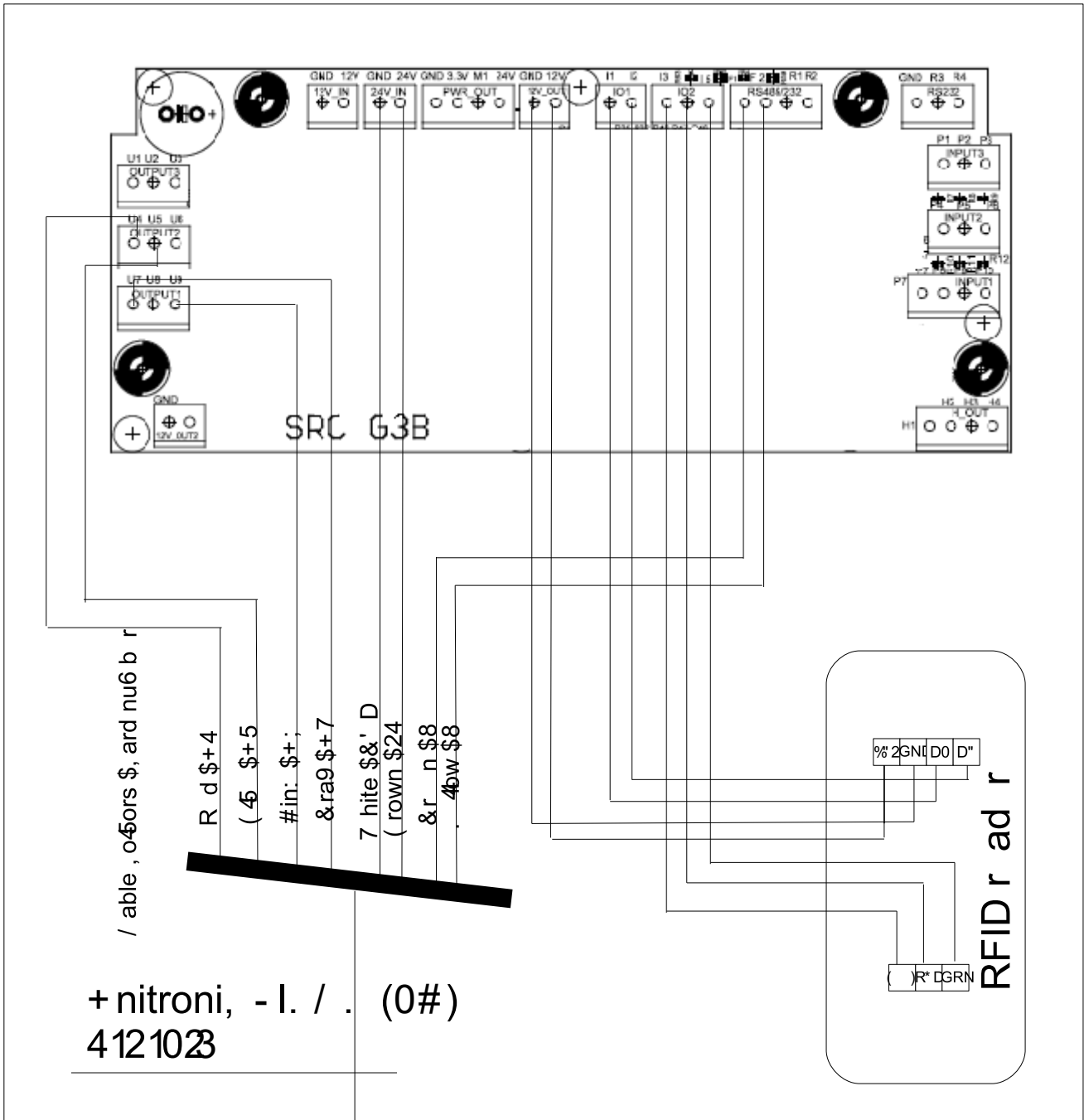


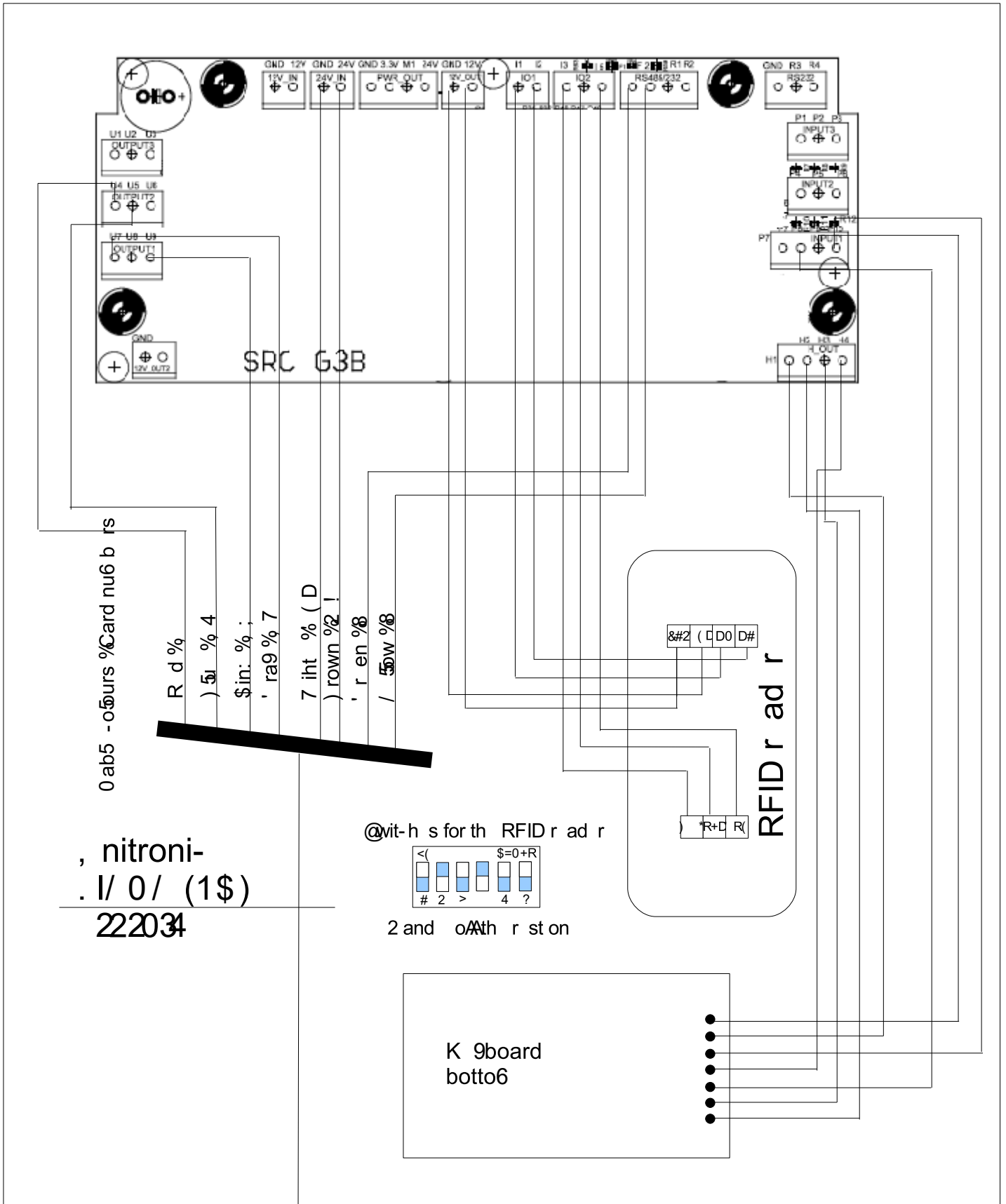
Rotation gat : RFID box (inside)



Other rotation gat

D sign r: Johan Kvist
 Drawing: Johan Kvist
 Dat : 2007-09-04
 ersion: 2."
 #ag : "\$

Rotation gat RFID box (outside)



Design r: Johan Kvist
 Drawing: Johan Kvist
 Dat : 2007-09-0
 ! ersion: 2.#
 \$ ag : #%

1o th rotation gat