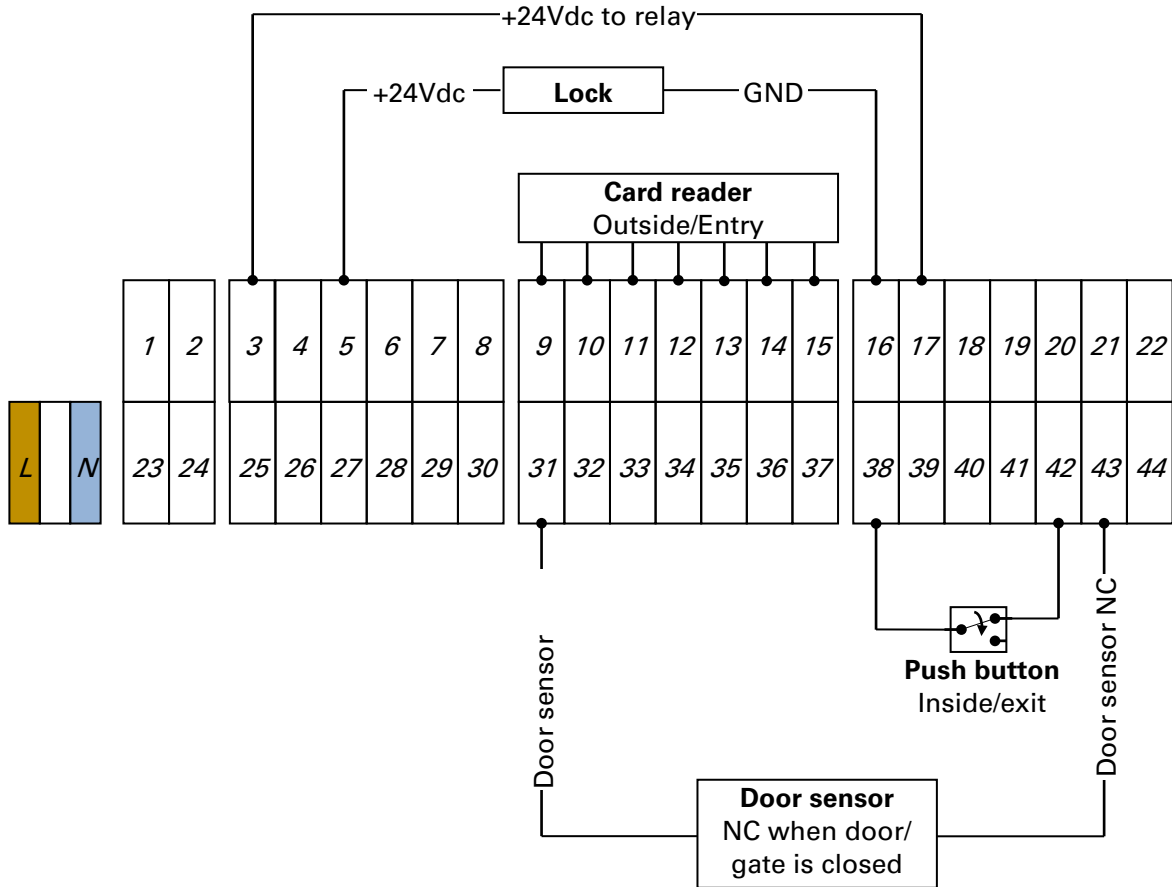


# RCB Controlbox Electric Strike

}



## ROBUST ELECTRIC STRIKE

Terminal	Lock
16. GND	Green
5. +24Vdc	Red
31. Door sen. COM	Black
43. Door sen. NC	Yellow

## CARD READER

Terminal	Lock
9. GND	Black
10. +24Vdc	Red
11.	Grey
12.	Pink
13.	Blue
14.	Brown
15.	Yellow



**The installation must allow an emergency evacuation in case of fire, power failure and other hazards!**

Please note that local laws and regulations may apply.

### Power to lock

To power an electrical 24V lock a total of 0.25A can be taken from either terminal 10 or 17.

Do not use terminal 32 or 39 as they can only supply enough power for a card reader or LED.

Only use electrical locks with built-in diode.

**infobric.**