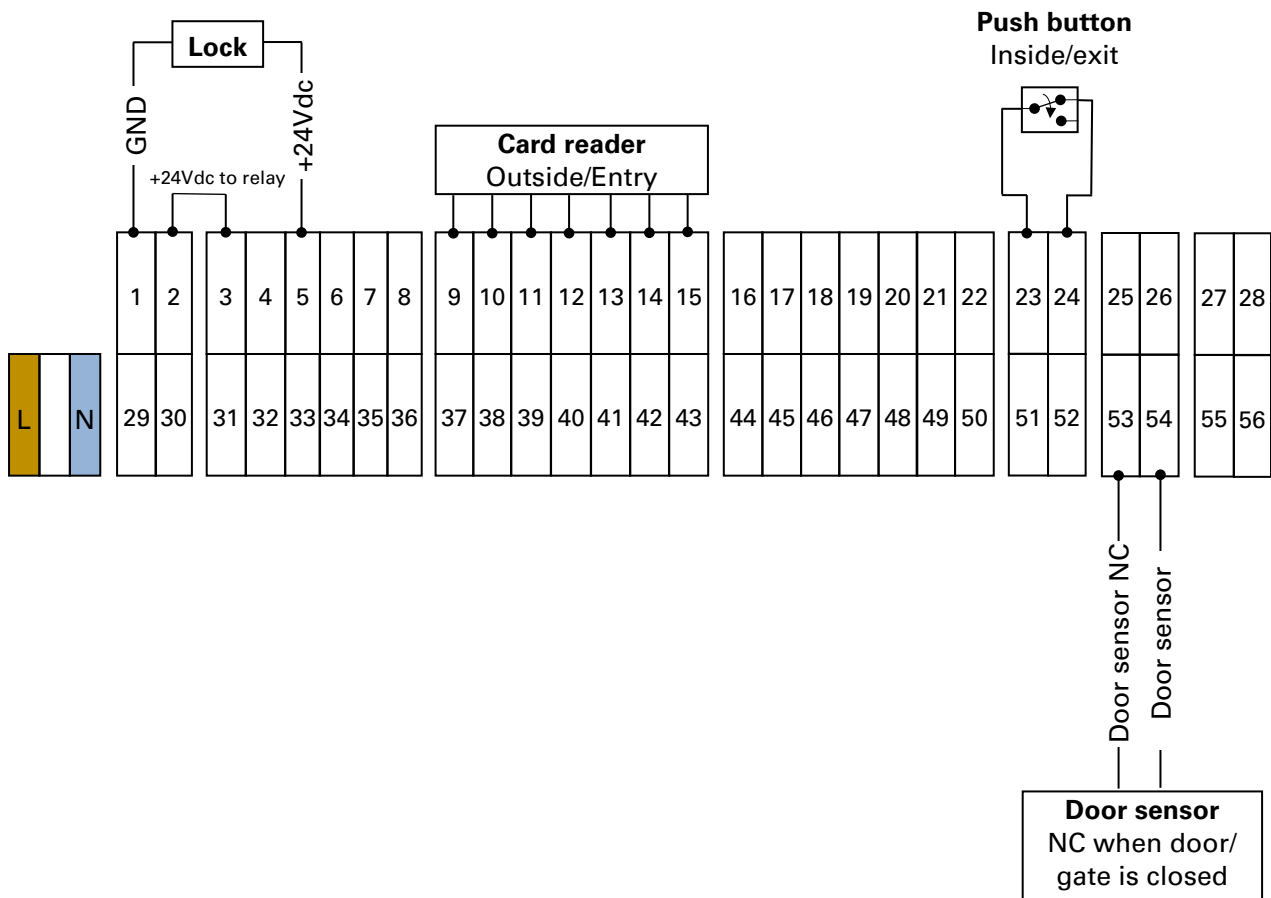


ControlBox 400 - Electric Strike



ROBUST ELECTRIC STRIKE

Terminal	Lock
5. +24Vdc	Green
1. GND	Red
54. Door sen. COM	Black
53. Door sen. NC	Yellow

CARD READER

Terminal	Reader Cable
9. GND	Black
10. +24Vdc	Red
11.	Grey
12.	Pink
13.	Blue
14.	Brown
15.	Yellow



The installation must allow an emergency evacuation in case of fire, power failure and other hazards!

Please note that local laws and regulations may apply.

Power to lock

To power an electrical 24V lock a total of 0.25A can be taken from either terminal 2 or 30.

Do not use terminal 10, 17, 38 or 45 as they can only supply enough power for a card reader or LED.

Only use electrical locks with built-in diode.